



## TECH IT OUT

By Jim Hutchinson, Jr.

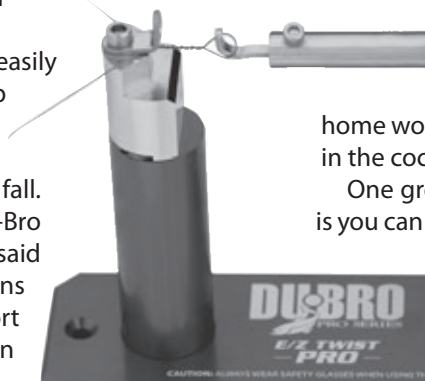
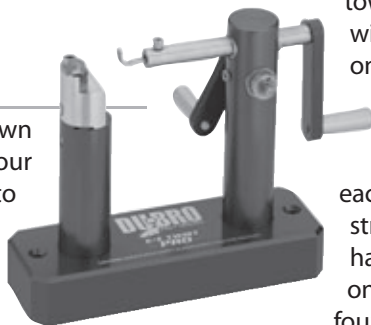
### DU-BRO E/Z TWIST PRO

Before you sit down and start twisting wire and nicking up your fingers for the fall run, you might want to consider taking a look at the Du-Bro Pro Series E/Z Twist Pro. This is a serious tool for the serious angler; in fact, there's no reason why this reasonable investment in wire leader creation couldn't turn into a little side industry for you in the winter ahead.

The Du-Bro Pro Series E/Z Twist Pro easily handles wire ranging from 5 gauge up to 22 gauge, so now you can quickly rig up leaders that you'll be confident with when there's a serious bite on this fall. "I have been using and testing the Du-Bro E/Z Twist Pro and absolutely love it," said product tester Capt. Rob Miglino who runs a charter boat out of Brooklyn, NY; a port where toughness counts, especially when the blues are hungry.

"If you make Haywire and Barrel twists, this is the tool to use," Miglino said.

Wire leaders are made first by creating the eye; simplified by a pin and handle setup on one EZ twist tower (the one tower has two handles, one for making eyes and another main handle for making the actual twists.). Line up your wire against the pin, leaving a couple of inches for a tag end, and then turn the smaller handle in back counter-clockwise a little past 90 degrees.



Slide a barrel swivel, lock or hook down one of the open tag ends of the wire to the eye and place the eye on the hook that runs on the horizontal shaft from the EZ twist tower with the dual handles, placing the two wire ends within the corresponding grooves on the other tower. By turning the main handle clockwise while slowly pulling back on the shaft, the haywire twists are simple to make; you can also control the length of each turn, which allows you to lengthen and strengthen the haywire. Once you've got a half-dozen twists, rotate the head of the second shaft slightly which will allow you to turn four or five barrel wraps on the leader.

The EZ Twist Pro has mounting holes on each end of the base to allow the unit to be easily mounted to a workbench or cutting board, allowing you to pre-rig a season's worth of wire leaders at the home workshop or to twist 'em when you need 'em in the cockpit in the midst of a mad dog bite.

One great thing about the Du-Bro E/Z Twist Pro is you can customize rigs for terminal end and hook preference, while also creating leaders of varying lengths to suit your specific needs, from bluefish rigs in the surf to sharking at the lumps. The Du-Bro E/Z Twist Pro retails for between \$249 (5-15 Gauge) and \$399 (5-22 Gauge).

Founded in 1982 by Dewey (Orv) Broberg, Pro Series Fishing is a division of Du-Bro Products, Inc.; which is now run by Orv's son Jim and daughters Gayle and Kathy. Du-Bro also makes and markets the E/Z

Load Chum Bag and Trac-A-Rod Plus. Find more, including complete "how to" demo video of the Du-Bro E/Z Twist Pro, at [www.proseriesfishing.com](http://www.proseriesfishing.com). 